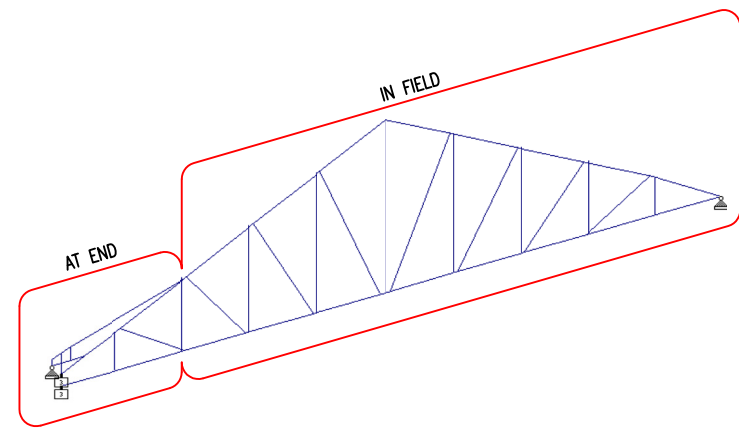
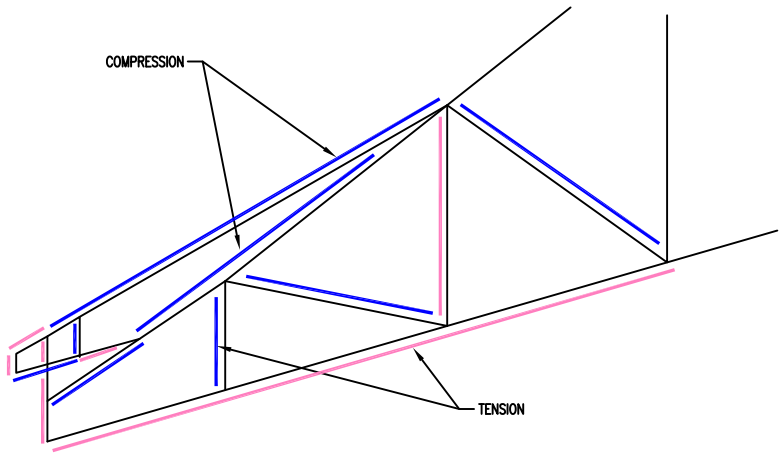


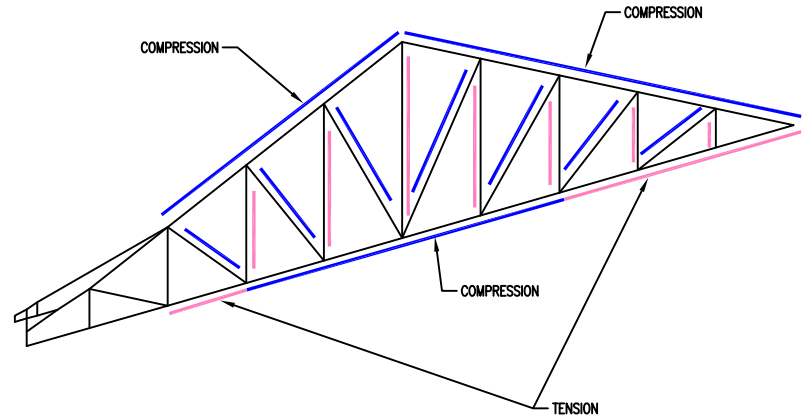
MODIFIED TRUSS CONNECTION: AS-BUILT
N.T.S.



MODIFIED TRUSS CONNECTION: COMPUTER MODEL
N.T.S.



MODIFIED DESIGN: RESULTS AT END
N.T.S.



MODIFIED DESIGN: RESULTS IN FIELD
N.T.S.