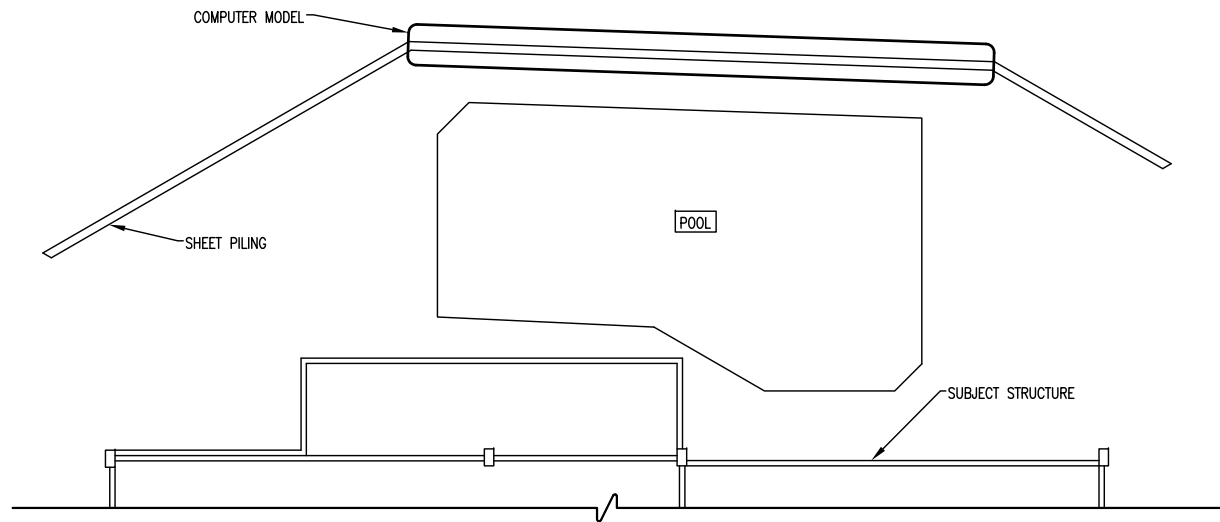
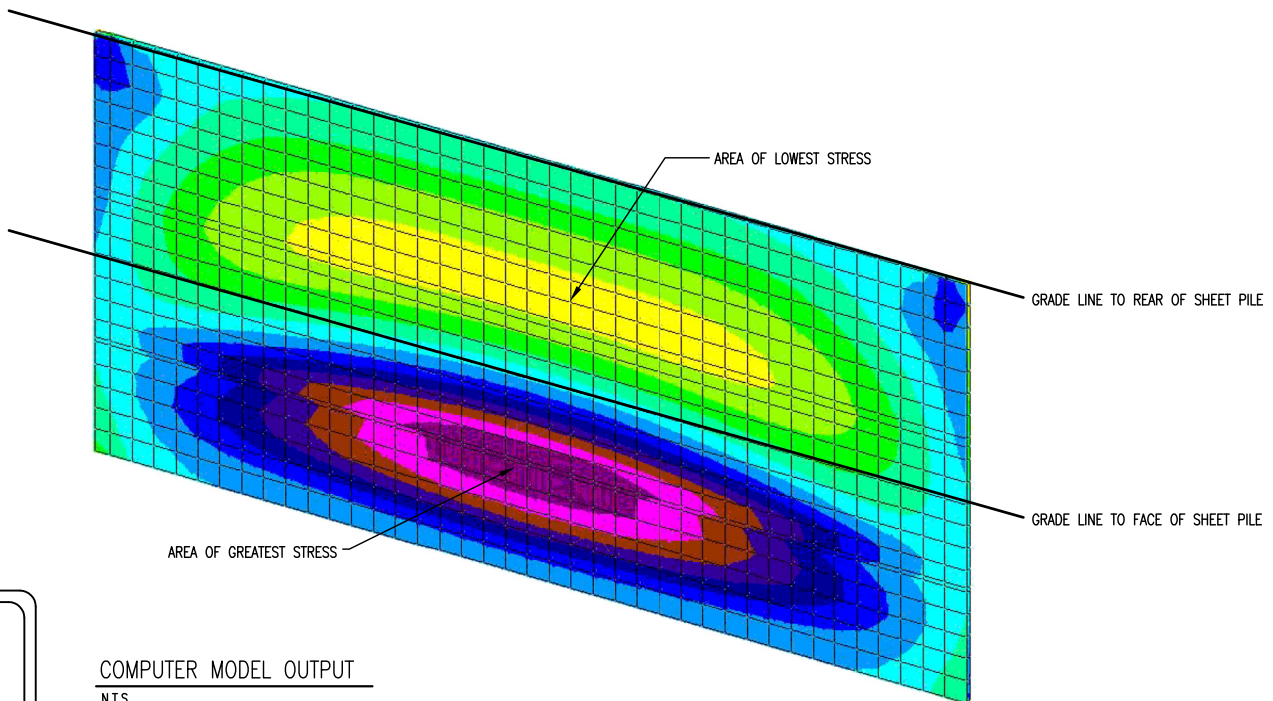


SHEET PILE AS-BUILT SECTION VIEW
N.T.S.



SHEET PILE AS-BUILT PLAN VIEW
N.T.S.



COMPUTER MODEL OUTPUT
N.T.S.